

UNLESS OTHERWISE SPECIFIED:

DIMENSIONS ARE IN INCHES
 TOLERANCES:
 FRACTIONAL ±
 ANGULAR: MACH ± BEND ±
 TWO PLACE DECIMAL ±
 THREE PLACE DECIMAL ±

INTERPRET GEOMETRIC
 TOLERANCING PER:

	NAME	DATE
DRAWN		
CHECKED		
ENG APPR.		
MFG APPR.		
Q.A.		

PROPRIETARY AND CONFIDENTIAL

THE INFORMATION CONTAINED IN THIS DRAWING IS THE SOLE PROPERTY OF XTERRA TRENCH SHIELDS. ANY REPRODUCTION IN PART OR AS A WHOLE WITHOUT THE WRITTEN PERMISSION OF XTERRA TRENCH SHIELDS IS PROHIBITED.



TITLE:

Sifter Frame

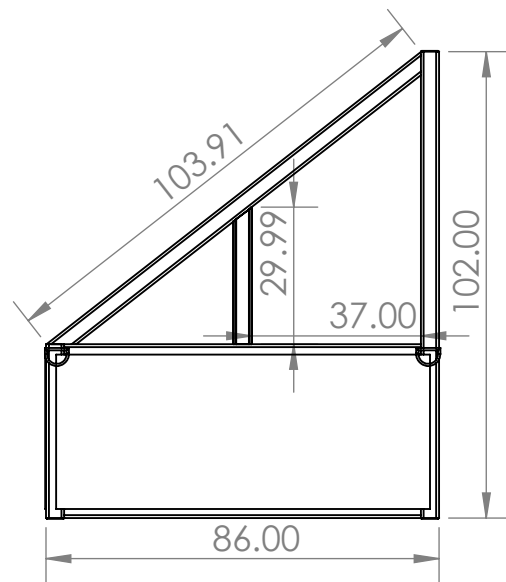
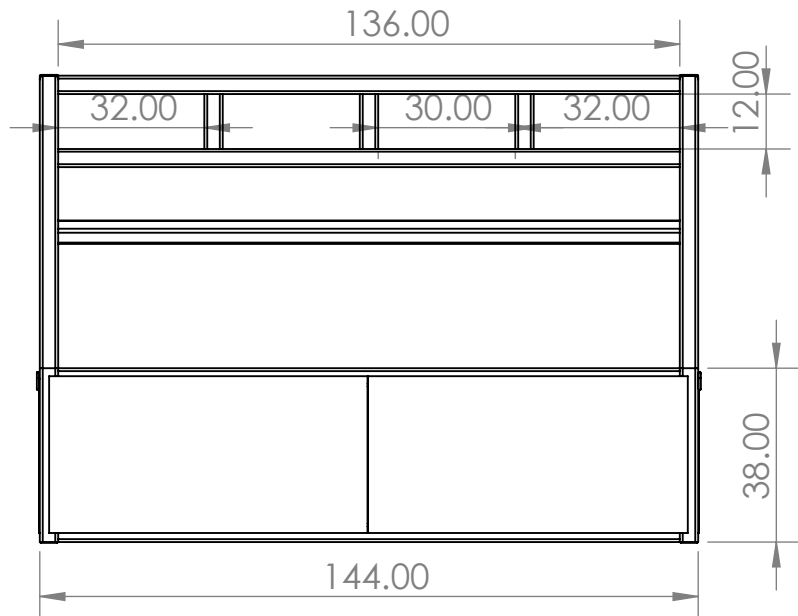
SCALE: 1:32 WEIGHT: 2730 SHEET 1 OF 3

2

1

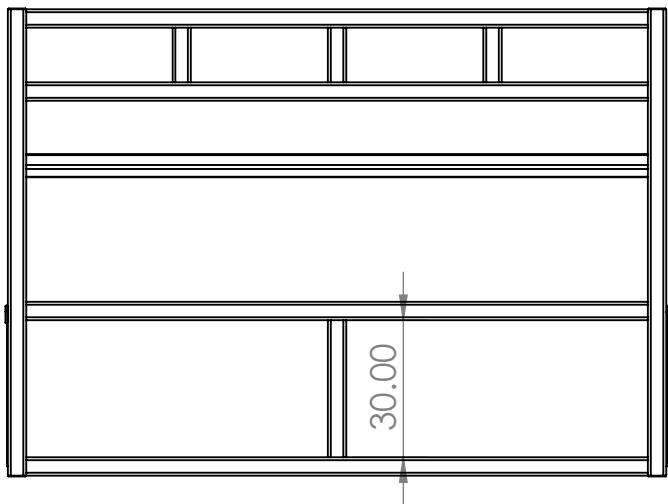
B

B



A

A



UNLESS OTHERWISE SPECIFIED:

DIMENSIONS ARE IN INCHES
 TOLERANCES:
 FRACTIONAL ±
 ANGULAR: MACH ± BEND ±
 TWO PLACE DECIMAL ±
 THREE PLACE DECIMAL ±

INTERPRET GEOMETRIC TOLERANCING PER:

	NAME	DATE
DRAWN		
CHECKED		
ENG APPR.		
MFG APPR.		
Q.A.		

PROPRIETARY AND CONFIDENTIAL

THE INFORMATION CONTAINED IN THIS DRAWING IS THE SOLE PROPERTY OF XTERRA TRENCH SHIELDS. ANY REPRODUCTION IN PART OR AS A WHOLE WITHOUT THE WRITTEN PERMISSION OF XTERRA TRENCH SHIELDS IS PROHIBITED.



TITLE:

Sifter Frame

SCALE: 1:42 WEIGHT: 2730 SHEET 2 OF 3

2

1

2

1

B

B

Part #	Part Description	Qty.
1	TS 4x4x0.3125	2
2	-	5
3	-	2
4	-	3
5	-	4
6	-	2
7	-	3
8	-	2
9	D-ring	4
10	81.75x33.75x0.1875	2
11	69.7x34.25x0.1875	2
12	End cap	6

A

A

	NAME	DATE
DRAWN		
CHECKED		
ENG APPR.		
MFG APPR.		
Q.A.		

UNLESS OTHERWISE SPECIFIED:
 DIMENSIONS ARE IN INCHES
 TOLERANCES:
 FRACTIONAL ±
 ANGULAR: MACH ± BEND ±
 TWO PLACE DECIMAL ±
 THREE PLACE DECIMAL ±

INTERPRET GEOMETRIC
 TOLERANCING PER:

PROPRIETARY AND CONFIDENTIAL
 THE INFORMATION CONTAINED IN THIS
 DRAWING IS THE SOLE PROPERTY OF
 XTERRA TRENCH SHIELDS. ANY
 REPRODUCTION IN PART OR AS A WHOLE
 WITHOUT THE WRITTEN PERMISSION OF
 XTERRA TRENCH SHIELDS IS
 PROHIBITED.



TITLE:
Sifter Frame
 SCALE: 1:42 WEIGHT: 2730 SHEET 3 OF 3

2

1